



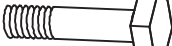
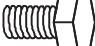




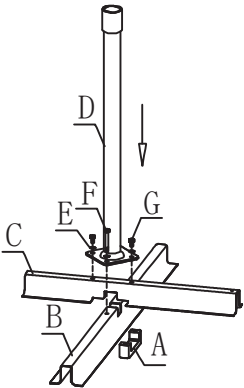
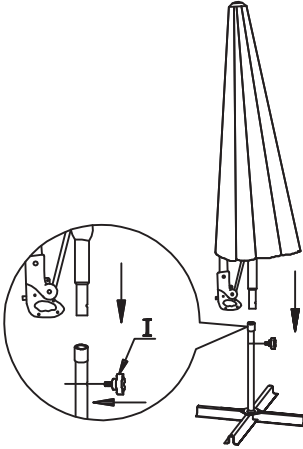
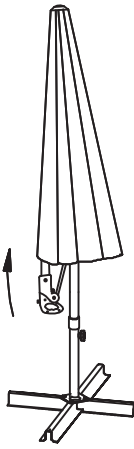
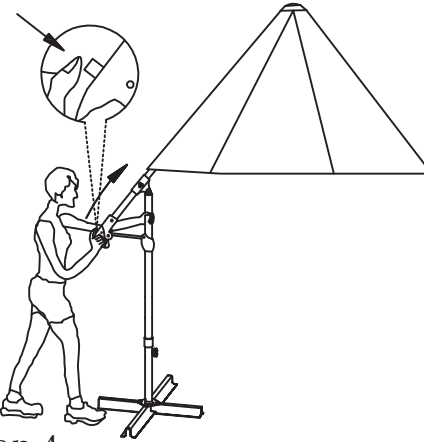
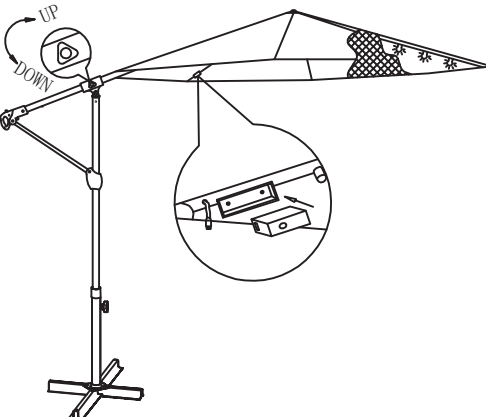

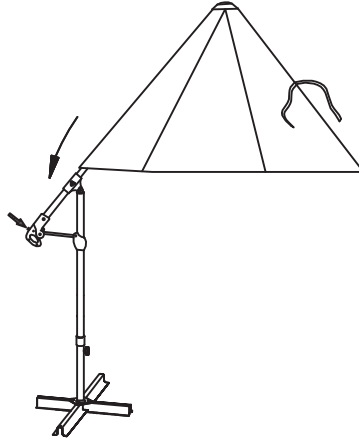
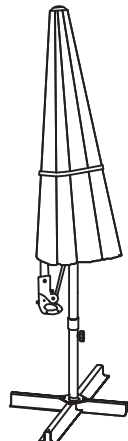
 A x 1	 B x 1	 C x 1	 D x 1	 E x 4	
 F x 2	 G x 2	 H x 1	 I x 1	 J x 1	 K x 1
 Step1	 Step2	 Step3	 Step4		
 Step5	 Step6	 Step7	 Step8		

PLEASE NOTE: PARASOL MUST ALWAYS BE WEIGHTED WITH A SUITABLE BASE WEIGHING A MINIMUM OF 36KG, EVEN WHEN CLOSED.