



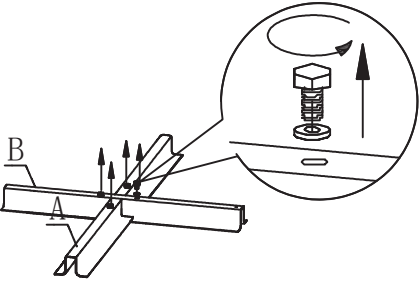
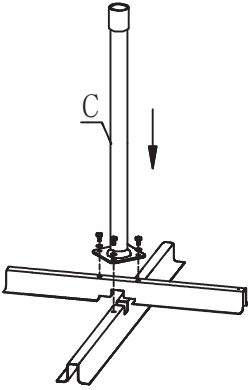
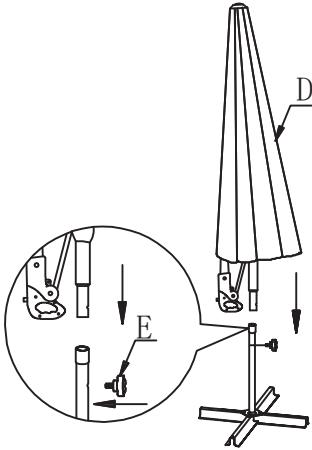
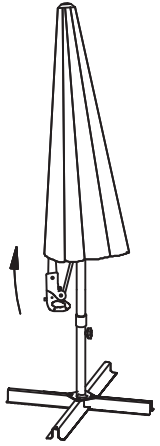

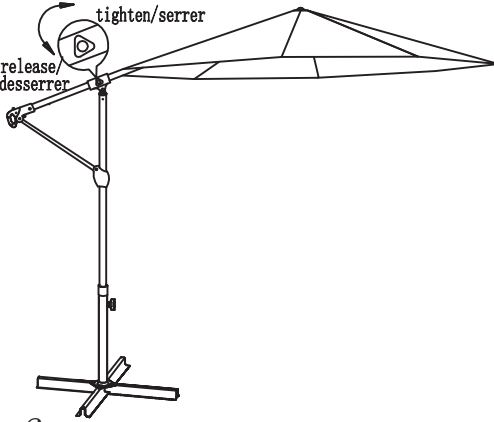
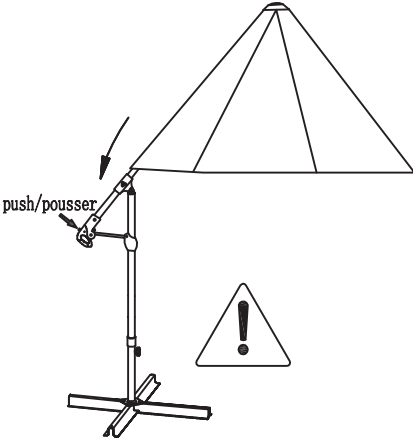

 <p><b>A x 1</b></p>	 <p><b>B x 1</b></p>	 <p><b>C x 1</b></p>	
 <p><b>D x 1</b></p>	 <p><b>E x 1</b></p>		
<p>1</p> 	<p>2</p> 	<p>3</p> 	<p>4</p> 
<p>5</p> 	<p>6</p> 	<p>7</p> 	<p>8</p> 

PLEASE NOTE: PARASOL MUST ALWAYS BE WEIGHTED WITH A SUITABLE BASE WEIGHING A MINIMUM OF 36KG, EVEN WHEN CLOSED.