

Gold Coast 2 Seat Glider



THIS IS AN IMPORTANT DOCUMENT PLEASE READ AND KEEP WITH YOUR RECEIPT

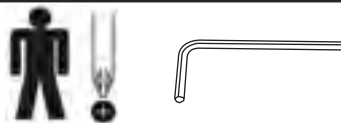
Product After Care

To prolong the life of your product, some additional minor maintenance and aftercare will be required. Warm soapy water is recommended to clean the product, steel components may corrode if not treated (For guidance contact manufacturer), an all purpose water sealant should be used to protect stone table tops, and enclosed touch up paint can repair minor defects. Throughout the winter months, we recommend bringing indoors where possible or using a furniture cover.

General Warranty Conditions

The warranty applies to the original purchaser from the date of purchase and covers manufacturing faults and defects only. If an item should fail as a result of a manufacturing fault or defect under normal domestic use, the manufacturer at their discretion will repair, refinish or replace the failed item. The manufacturer reserves the right to substitute failed items with a similar product should the model or colour no longer be available. Any replacement will be for the failed item only not a complete set. The original warranty period is not extended in the event of a repair, refinish or replacement. In the event of a failure, it is the customer's responsibility to return the item to the store of purchase along with a copy of the receipt. Warranty specifically excludes general wear and tear, rusting of steel components and parts, corrosion, commercial use and damage caused as a result of failure to observe reasonable care, maintenance and assembly instructions for both furniture and hardware.


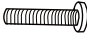



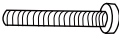




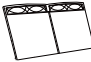






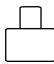
Necessary Tools



Please check the pack contents before attempting to assemble this product. A full checklist of Components is given in this leaflet. If any components are missing, please contact the retailer from whom you bought this product

The fittings pack contains **SMALL ITEMS** which should be **KEPT AWAY FROM YOUNG CHILDREN**.

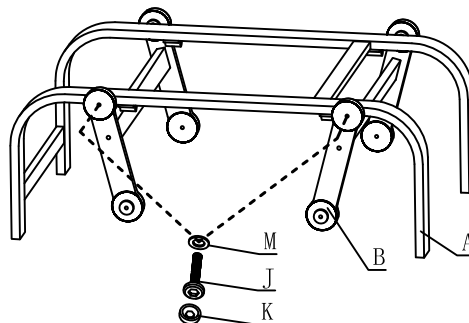
Read this leaflet in full before commencing assembly.

| PARTS LIST | | | | | | | |
|------------|----------------------------|---|---|---|-----------------------|---|----|
| A | Glider Base |  | 1 | J | Bolt(M6X35L) |  | 14 |
| B | Swing Brace |  | 2 | K | Plastic Bolt Cap (M6) |  | 19 |
| C | Left Arm |  | 1 | L | Bolt(M6X52L) |  | 1 |
| D | Right Arm |  | 1 | M | Metal Washer (Φ6.5) |  | 22 |
| E | Seat Cross Bar ("V" Shape) |  | 1 | N | Nut(M6) |  | 3 |
| F | Back |  | 1 | O | Plastic nut cap (M6) |  | 3 |
| G | Seat |  | 1 | P | Allen Wrench |  | 1 |
| H | Base Cross Bar |  | 1 | Q | Hex Wrench |  | 1 |
| I | Bolt(M6X60L) |  | 4 | R | Touch up Paint bottle |  | 1 |

THEN ENJOY YOUR NEW 2 SEAT GLIDER.

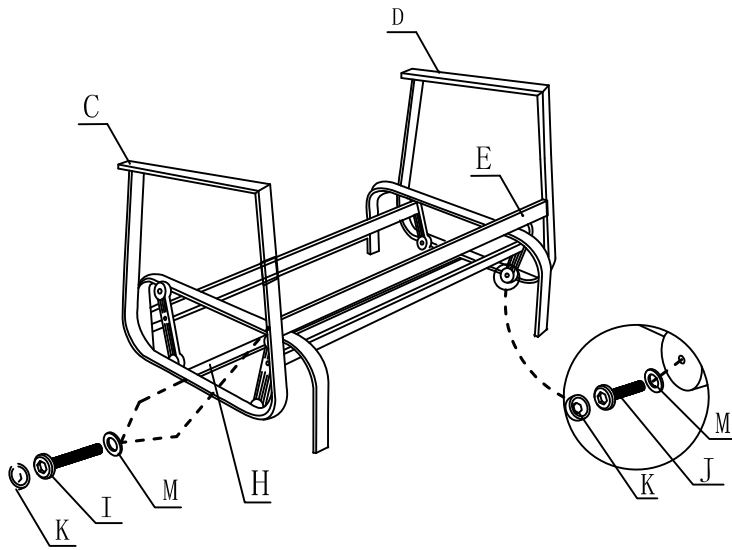
CLEANING USE A MILD DETERGENT AND WARM WATER ON THE FRAMES .
DO NOT USE ABRASIVE MATERIALS OR CLEANSERS COMMERCIALY
AVAILABLE.

Step 1

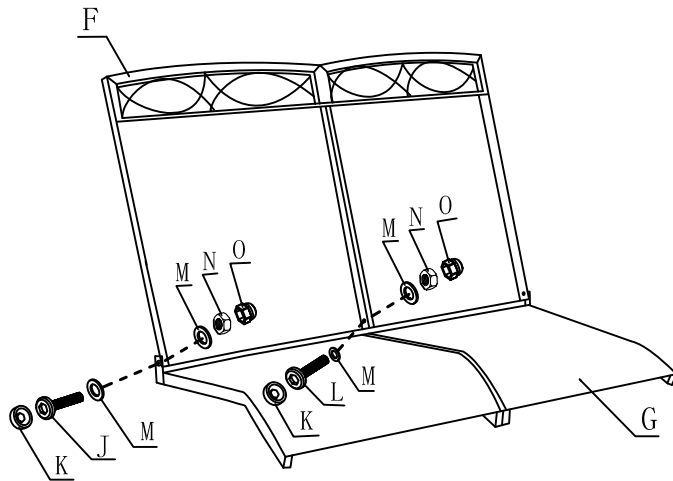


Gold Coast 2 Seat Glider

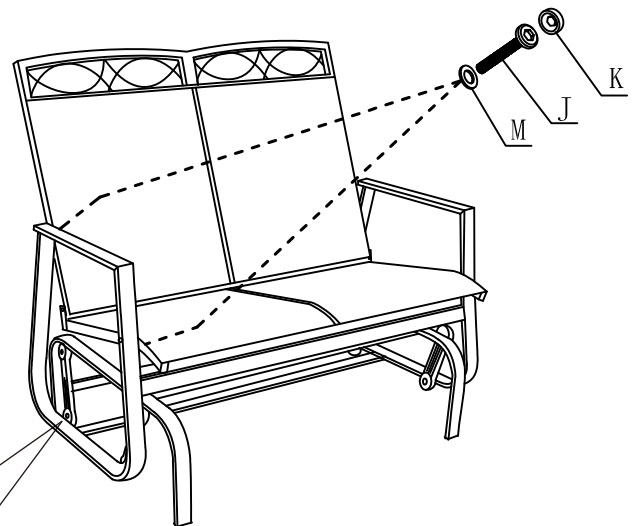
Step 2



Step 3



Step 4



Note: For the sake of better use,
please do not sway from left to right!

PLEASE ENSURE ALL FIXINGS ARE LEFT LOOSE DURING ASSEMBLY,
BUT ARE SECURELY TIGHTENED UPON COMPLETION.