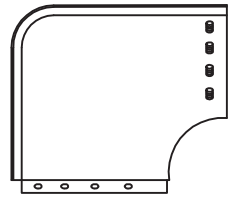


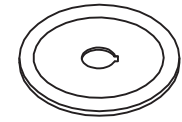
A X 4



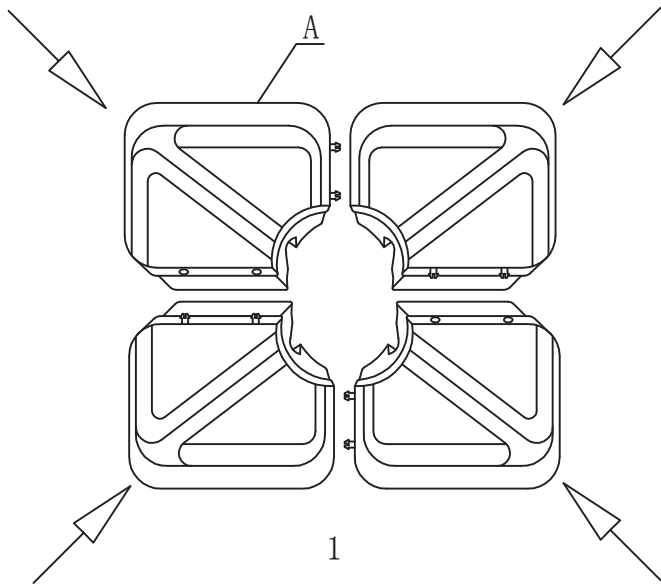
B X 4



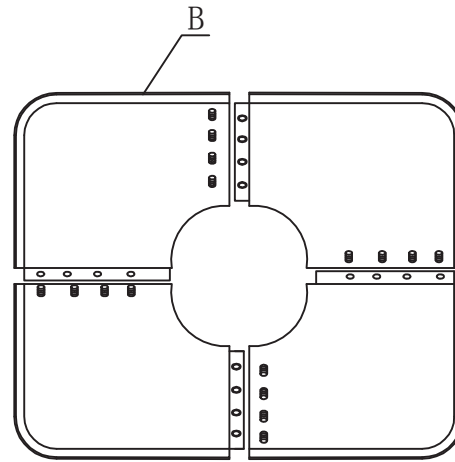
C X 16



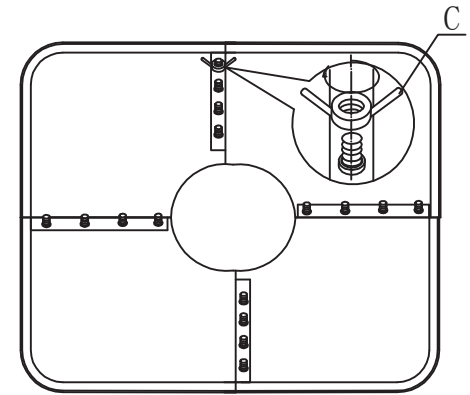
D X 1



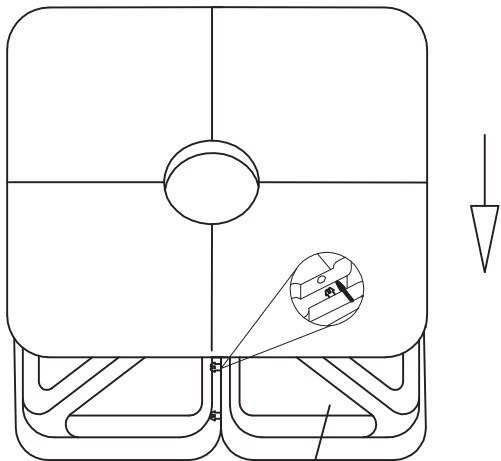
1



2

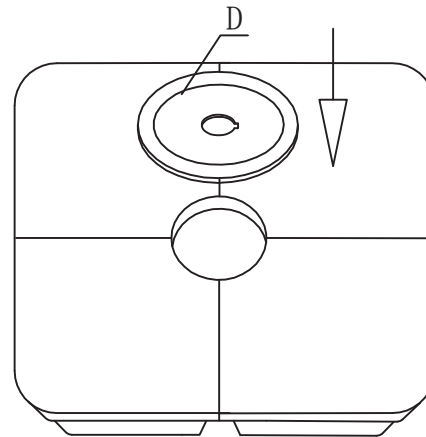


3

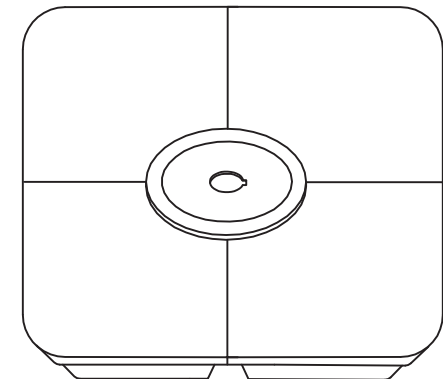


4

filled with sand



5



6